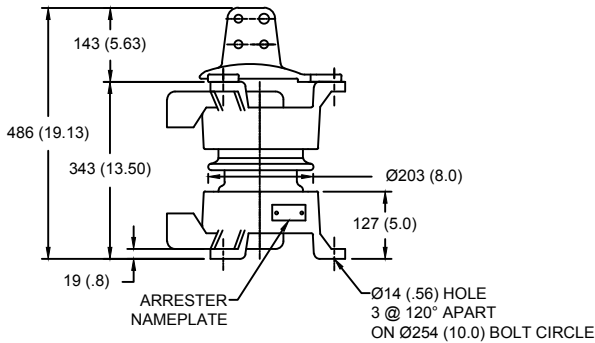
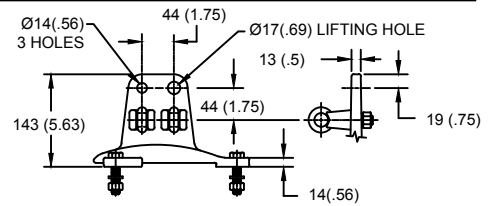


ARRESTER PACKED IN A CORRUGATED BOX

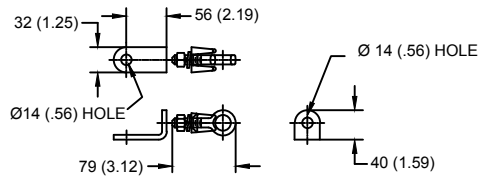


LINE TERMINAL DETAIL



HDG 4-HOLE TERMINAL PAD, PART No. 901704001
 TWO HDG TERMINALS, PART No. 2714143001
 SUITABLE FOR COPPER OR ALUMINUM CONDUCTOR SIZE
 Ø 7 (.25) - Ø 21 (.81)
 25 - 240 sq mm
 AWG#4 - 500 MCM

GROUND TERMINAL DETAIL



HDG TERMINAL BRACKET, PART No. 896064001
 ONE HDG TERMINAL, PART No. 2714143001
 SUITABLE FOR COPPER OR ALUMINUM CONDUCTOR SIZE
 Ø 7 (.25) - Ø 21 (.81)
 25 - 240 sq mm
 AWG#4 - 500 MCM

Ø = DIAMETER
 HDG = HOT DIP GALVANIZED

CHARACTERISTICS	
RATED VOLTAGE	10 kVrms
MCOV	8.4 kVrms
MASS	35kg (78lb)
CREEPAGE DISTANCE	157 (6.2)
LIGHTNING IMP W/S	95 kV
SWITCHING IMP W/S	76 kV
POWER FREQ W/S	30 kVrms
TOV 1s	12.4 kVrms
TOV 10s	11.9 kVrms
COG ABOVE BASE	196 (7.7)
HOUSING	GREY PORCELAIN
CANTILEVER FORCE	
MAXIMUM CONTINUOUS	6512 N (1464lbf)
ULTIMATE (UMS)	16279 N (3660lbf)
RECOMMENDED CLEARANCE (TO METAL PARTS)	
PHASE TO GROUND	27 (1.1)
PHASE TO PHASE	53 (2.1)

- NOTES:
 1. DIMENSIONS IN millimeters(inches) SUBJECT TO ±3% TOLERANCE
 2. CLEARANCE AND INSULATION W/S VOLTAGE APPLY AT SEA LEVEL
 3. ARRESTER SUITABLE FOR OPERATION AT ALTITUDES UP TO 4500m (14800ft)

DISCHARGE VOLTAGE (kV) FOR INDICATED IMPULSE TYPES AND CURRENT MAGNITUDES									
FRONT OF WAVE	SWITCHING SURGE		8/20 LIGHTNING IMPULSE						
	10 kA	0.5 kA	1 kA	1.5 kA	3 kA	5 kA	10 kA	20 kA	40 kA
28	21	22	22	23.2	24.3	26	28.5	31.8	

IEEE C62.11
 STATION CLASS
 IEC 60099-4
 CLASS SM
 SURGE ARRESTER
 Program Revision
 2021.04.27.05.18.23

REV DATE **01/11/2021**

CONFIDENTIAL: THIS DRAWING AND ITS CONTENTS ARE CONFIDENTIAL AND THE EXCLUSIVE PROPERTY OF HUBBELL POWER SYSTEMS. NO PUBLICATION, DISTRIBUTION OR COPIES MAY BE MADE WITHOUT THE WRITTEN CONSENT OF HUBBELL POWER SYSTEMS. HUBBELL POWER SYSTEMS UNPUBLISHED ALL RIGHTS RESERVED UNDER THE COPYRIGHT LAWS.

<h2 style="margin: 0;">TITLE</h2> <h1 style="margin: 0;">VL ARRESTER</h1> <h2 style="margin: 0;">8.4 KV MCOV</h2>			
SIZE	DWG NO.	CAT / PART / ASSY NO.	REV
S	21244139697	VLN010GA009AA	1
DO NOT SCALE THIS DRAWING	DRN BY	DATE	SHEET
	NON	01/11/2021	1 OF 1